

Two - Handle Lavatory Faucet

Product Spec Sheet



FEATURES & BENEFITS

GLL-402CF
Chrome Finish

- This Product Contains Less Than 0.25% Weighted Average Lead Content On Wetted Surfaces
- Acrylic Round Handle
- Washerless Cartridge
- 50/50 Push Pop-Up
- Max Flow Rate 1.2 GPM (4.5L/Min) At 60 PSI (ASME A112.18.1/A112.18.1)

Approvals:

Meets or Exceeds The Following:

- * ANSI/ASME A112.18.1/A112.18.1
- * NSF/ANSI 61 - Sec. 9
- * NSF/ANSI 372
- * IAPMO/cUPC
- * CA AB1953
- * EPA WaterSense
- * NSF/ANSI/CAN 61: $Q \leq 1$



TEL: 888-649-0605

FAX: 877-892-1950

Visit Our Web Site : www.gemlinefaucets.com

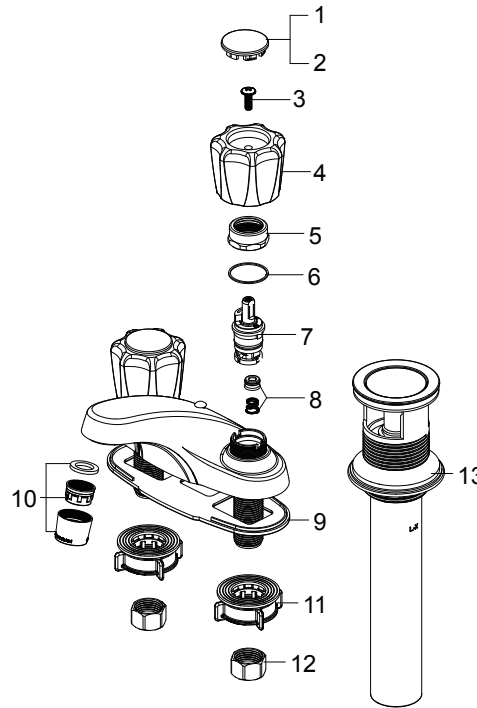
Two - Handle Lavatory Faucet

No. Name

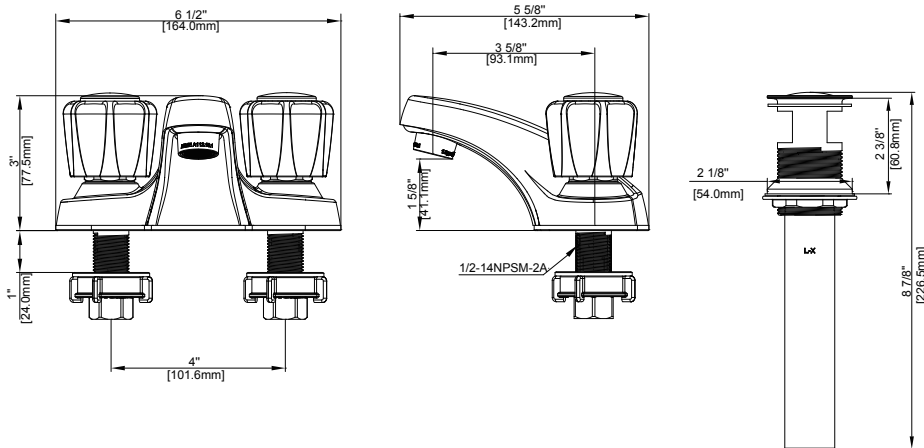
- 1 Index H / *índice H*
- 2 Index C / *índice C*
- 3 Screw / *Tornillo*
- 4 Handle / *Llave*
- 5 Bonnet / *Bonete*
- 6 Washer / *Arandela*
- 7 Cartridge / *Cartucho*
- 8 Seat & Spring / *Base y resorte*
- 9 Gasket / *Junta*
- 10 Aerator / *Aireado*
- 11 Easy install nut / *Tuerca fácil de instalar*
- 12 Coupling nut / *Tuerca de acoplamiento*
- 13 Pop-up assembly / *Ensamblaje emergente*

Part No.

- RP10028
- RP10029
- RP50013
- RP13305
- RP70678
- RP64124
- RP22010
- RP22008
- RP80751
- RP30190*
- RP56095
- RP56002
- RP40137*



* Specify Finish
* Especificque el Acabado



Product Spec Sheet